

November 2024

The quality parts for Land Rovers

Side Step Covers



DA5176



DA5177



DA5178



DA5176 Chequer Plate Satin Black
DA5177 Smooth Gloss Black
DA5178 Smooth Satin Black
 Defender 90 / 110 / 130 - 2020 onwards



Pair
 Pair
 Pair
Luggage Area Mesh
DA3979
 Defender 90 - 2020 onwards



Heavy - Duty CV Joint

TDJ000010HD
 Defender 1987 - 2006
 Discovery 1 - 1994 - 1998
 Range Rover Classic - 1992 onwards

This set includes 2 covers suitable for the Defender 90.
 For Defender 110 & 130 2 sets will be required.

These smooth ABS plastic covers easily refresh worn side step plates, adding a sleek colour change from silver without replacing the entire step. Pre-fitted with adhesive tape and a prep wipe for secure installation, they're ready to fit or paint as desired. Both covers are identical for left or right sides.



Rear Bush

DA4954
 Rear Axle Bush
 Lower Inner
 Range Rover - 2013 - 2022
 Range Rover Sport - 2014 - 2022
 Discovery 5
 Defender 2020 onwards



Timing Belt & Water Pump Kit

LR032527G
 OEM Kit
 Discovery Sport
 Freelander 2
 Range Rover Evoque - 2012 - 2018



Brembo Brake Pads

LR160436BR
 Discovery Sport



Part numbers are used for identification purposes only and do not imply or indicate the identity of the manufacturer. E&OE.

November 2024

The quality parts for Land Rovers

Locking Wheel Nut Kit

STC7987

Freelander 1



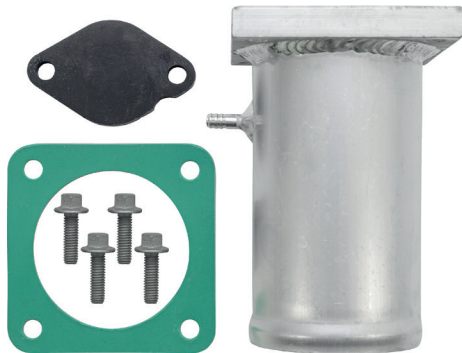
EGR Blanking Kit

DA1109TURBO

EGR Blanking Kit With Boost Hose Take Off Pipe
Defender - 2.5 Td5 Diesel

Discovery 2 - 2.5 Td5 Diesel

A Britpart EGR blanking kit enables you to remove the original mechanical EGR from the vehicle resulting in better fuel economy and improved performance.



Differential Assemblies

TBB000270R - Re-manufactured

TBB000270 - New

Rear / 4 pin

Defender - 1987 - 2006

Defender - 2007 - 2016

Range Rover Classic



Alloy Wheel

LR024422

18" X 7 / Silver

Range Rover Evoque - 2012 - 2018



Steel Wheel

LR008758

Primed / Tubed / Welded

Defender - 2007 - 2016



Piston & Ring Set

DA3948

0.050mm / Individual

TdV6 - 3.0 Engine EU6



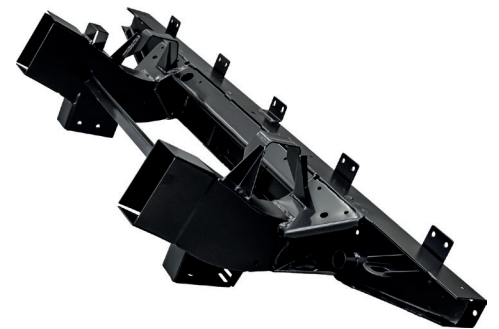
Rear Crossmember

DA4993

Non Galvanised / Rear / With long extensions /

With Anti Roll Bar Brackets

Defender 90 - 300 Tdi



Aluminium Inlet Manifolds

LR179200A

Left Hand Side

LR179201A

Right Hand Side

3.0 Engine V6 Diesel

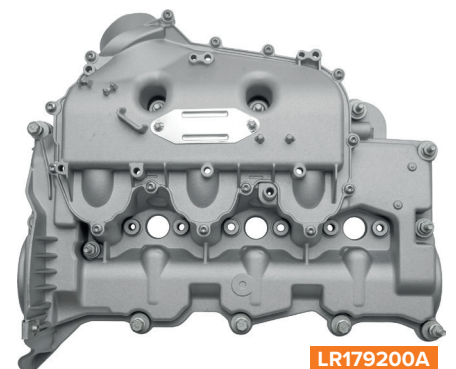
Discovery 5

Range Rover - 2013 - 2022

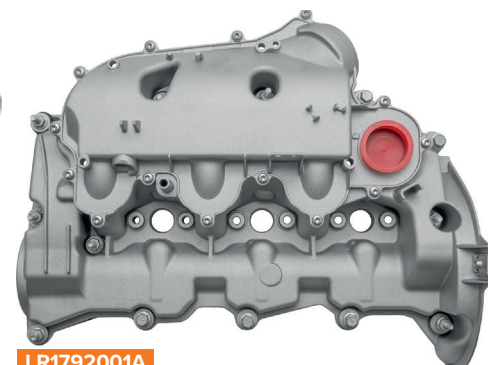
Range Rover Sport - 2014 - 2022

Range Rover Velar

Aluminium covers to replace the standard plastic factory fitted manifold covers.



LR179200A



LR1792001A



Part numbers are used for identification purposes only and do not imply or indicate the identity of the manufacturer. E&OE.

britpart.com