

**MARCH 2024**

The quality parts for Land Rovers

## FAI Timing Chain Kits



**DA3738**  
Range Rover Sport - 2005 - 2013  
Range Rover - 2002 - 2012  
3.6 V8 32V DOHC EFI Diesel



**DA3893**  
Defender - 2007 - 2016 - 2.4  
Kit contains sprockets

## Quick Ratio Steering Drop Arm & Ball Joint Repair Kit



**DA0228**  
Quick Ratio Steering Drop Arm  
Adwest Steering  
Defender - 1987 - 2016 - Right hand drive  
Supplied with ball joint fitted and Gwyn Lewis polyurethane boots & clips.



**RBG000010XS**  
Joint Drag Link Ball Joint Repair Kit  
Defender - 1987 - 2016

## Lucas Classic Switch



**589885LUCAS**  
Range Rover Classic  
- Left hand drive  
Switch - Indicator/horn  
& headlight dip

## Roof Rack Cross Bars



**Roof Rack Cross Bars**  
**VPLAR0001**  
Discovery 3  
Discovery 4



## Gearbox Seal Kit



**DA3869**  
Gearbox Seal Kit  
Discovery 3 / Discovery 4  
Range Rover Sport - 2005 - 2013  
Range Rover - 2002 - 2012

## Heater Core



**DA3860**  
Heater Assembly Core  
Defender - 2007 - 2016  
Right and left hand drive

## Laser Tools



**DA1303**  
Knuckle Ball Joint Tool  
Discovery 2  
Range Rover P38  
For the removal and fitting of bushes and ball joints, without having to remove suspension legs, subframes, wishbones, trailing arms etc from the vehicle. Designed to be used in-situ, although many can also be used in a workshop press if circumstances require.

This kit has been designed to allow the top and bottom steering ball joints fitted to the Discovery 2 & Range Rover P38 - upper and lower ball joints - to be replaced with the axle casing attached to the vehicle. Equivalent to OEM 205-718, 205-732, 205-733, 205-719, FTC3570 & FTC3571. Use with ratchet ring spanner - flexi head 19mm.



**DA3898**  
Flange Holding Tool  
Defender - 2020 onwards  
Discovery 4  
Discovery 5  
Freelander 2  
Range Rover Evoque - 2012 - 2018  
Range Rover Velar  
Range Rover Sport - 2010 - 2013  
Range Rover Sport - 2014 - 2022  
Range Rover Sport - 2023 onwards  
Range Rover - 2002 - 2009  
Range Rover - 2013 - 2022  
Range Rover - 2022 onwards  
Flange holding tool.

Used to hold the flange whilst removing and replacing the flange nut on JLR 5.0L and 3.0L diesel engines. Equivalent to OEM 205-053.



**DA1765**  
Hose Clamp Tool - Bar Type  
140mm long hose clamp tool. Suitable for use on rubber hoses, making it ideal for both brake and fuel lines together with coolant hoses. Steel construction with round chrome plated bars to help prevent damage.

- > Clamps any hose simply and effectively
- > Chrome plated bars
- > Use on brake, fuel and heater hoses
- > No sharp edges
- > Ensures complete clamp



Part numbers are used for identification purposes only and do not imply or indicate the identity of the manufacturer. E&OE.

britpart.com

**MARCH 2024**

The quality parts for Land Rovers



## Brembo Discs & Pads

**SDB000604BR**

### Brembo Lightweight Brake Discs

**LR181547G**

Defender - 2020 onwards  
Discovery 5  
Front / Vented / Single

### Brembo Brake Discs

**LR031845BR**

Range Rover - 2010 - 2012  
Front / Vented / Single

**LR033302BR**

Discovery 5  
Range Rover Sport - 2014 - 2022  
Range Rover - 2013 - 2022  
Rear / Vented / Single



**LR181547G**

### LR059122BR

Discovery Sport  
Range Rover Evoque - 2012 - 2018  
Front / Vented / Single

**SDB000604BR**

Discovery 3  
Discovery 4  
Range Rover Sport - 2005 - 2009  
Front / Vented / Single

**SDB000636BR**

Discovery 3  
Discovery 4  
Range Rover Sport - 2005 - 2009  
Rear / Vented / Pair

**LR160438BR**



### Brembo Brake Pads

**LR134695BR**

Freelander 2  
Range Rover Evoque - 2012 - 2018  
Rear

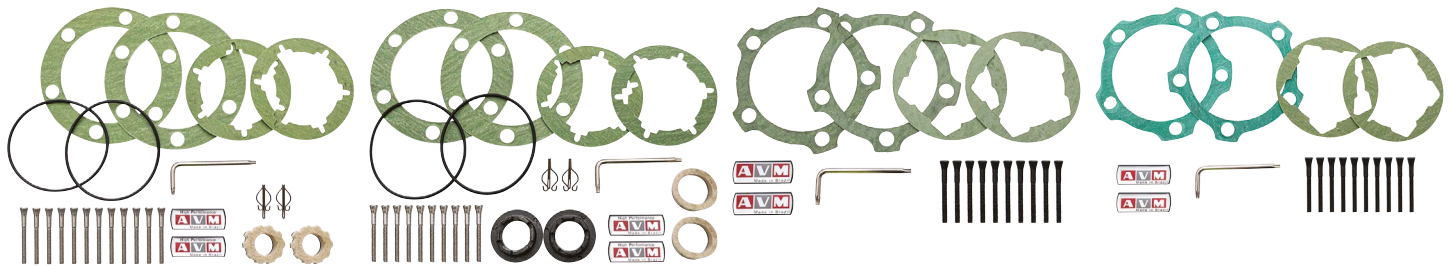
**LR160438BR**

Range Rover Velar  
Front

**SFP500210BR**

Range Rover - 2002 - 2009  
Rear

## AVM Free Wheeling Hub Service Kits



**DA3734**

For use with DA4541  
Series 1, 2, 2A & 3 10 Spline

**DA3735**

For use with DA4542  
Series 3 24 Spline

**DA3736**

For use with DA4544  
90, 110 & 130 - up to and including 200Tdi

**DA3737**

For use with DA4543  
Defender 90, 110 & 130 - 300Tdi onwards  
Discovery 1 - 300Tdi onwards

## Defender Rear Window Surrounds

**BLACK**



**DARK GREY**

**LIGHT GREY**

**DA3842** Black

**DA3843** Dark Grey

**DA3844** Light Grey

Defender 110 - 1987 - 2006\*  
Defender 110 - 2007 - 2016  
With window cut-out

\*Can be fitted to Defenders up to 2007 with adaptation of seat belt anchor brackets - LR012450 & LR012451 - not supplied.

Not suitable for side facing seats.

## Britpart XD Multigrade 20W-50

**DA1823** 5 litres

API SL/CF & ACEA A3 / B3

Britpart XD Multigrade 20W-50 is an engine oil manufactured from advanced Group II base fluids and the latest additive technology. This grade is designed for use in petrol and diesel engines fitted to passenger cars and light commercial vehicles. Multigrade 20W-50 will protect camshafts, critical valve gear and bearings from wear, even under severe cold start conditions, as well as controlling rust and corrosion.

- > Keeps components clean and the engine running efficiently.
- > Combats oxidation thickening, optimising fuel economy.
- > Provides outstanding oil pressure, even at high temperatures.

Britpart XD Multigrade 20W-50 is recommended for use in 4-stroke petrol and diesel engines, including turbocharged and supercharged units, fitted in passenger cars and light commercial vehicles, where an oil of this type and specification is required.



Part numbers are used for identification purposes only and do not imply or indicate the identity of the manufacturer. E&OE.

britpart.com

### STINGER 10-INCH INTEGRATED MULTIMEDIA SYSTEM WITH INTEGRATED BESPOKE INSTALLATION KIT

#### DA3868

Defender 2007 - 2016

#### Stinger 10-Inch Integrated Multimedia System With Integrated Bespoke Installation Kit

Upgrade your Defender with the Stinger HEIGH10 10-inch infotainment system. Retain all OEM features, vehicle settings, and more including off-road and performance gauges. All in one easy to install, plug-and-play package.

#### 10-inch Touchscreen

Features a giant high-resolution, 10-inch capacitive touchscreen with 16.7 million colors for a full visual experience

#### Adds Apple CarPlay & Android Auto

Access your smartphone's music, maps, and hands-free calling easily on your dash.

#### Plug & Play Installation

Complete plug-n-play system: No vehicle modifications needed!

#### Complete Integration

Retain the look, feel and functionality of your vehicle with our complete integration kit

#### Key Features

Featuring a high-resolution, 10-inch capacitive touchscreen with 16.7 million colours for a full visual experience, the HEIGH10 is designed to enhance screen size and infotainment features for drivers. The display and main tuner box offer a modular design, bolstering installation flexibility in space-limited applications and in some cases, even where no installation dash kit is available. The HEIGH10 features anti-glare and anti-reflection technology for best outdoor visibility. Personalize your display with customizable RGB illumination to match factory illumination or create your own.

#### Integration

- > Upgrade to a state-of-the-art infotainment system
- > Vehicle-specific installation kit for a seamless plug-and-play installation
- > Bespoke dashboard fascia designed to fit your vehicle



#### Land Rover Gauges

- > Performance gauges
- > Engine and system Gauges
- > Off-Road Gauges including pitch & roll

#### Included

- > HEIGH10 touchscreen infotainment system
- > Vehicle matched radio mounting dash kit
- > Complete vehicle integration module
- > Vehicle & radio specific plug-n-play harness
- > AM/FM antenna adapter
- > Stereo connection lead

Stinger's radio platform is designed for modular installation, meaning the display and receiver are two separate pieces. The modular design makes installation possible, even where space is limited or nonexistent. Paired with a complete integration kit the HEIGH10 fits seamlessly into the vehicle while retaining all the key features and functions of the vehicle's controls.

#### Dimensions -

(W x H x D)

- > Radio Module: 178 mm x 100 mm x 116 mm
- > Display: 247.2 mm x 180.6 mm x 48.5 mm

#### Display

- > 10-inch Diagonal
- > 16:9 aspect ratio
- > 1024 x 600
- > Pixels: 1,843,200
- > Active area 222.72 (W) x 125.28 (H) mm
- > Operating Temperature (C) -20° to 70°



#### Vehicle Off-Road

- > Pitch
- > Roll
- > GPS coordinates
- > Compass
- > Altitude



#### Vehicle Gauges

- > Eight gauges on the screen
- > Save two display presets
- > Battery voltage
- > Oil temperature
- > Fuel level
- > Coolant temperature...and many more



#### Vehicle Performance

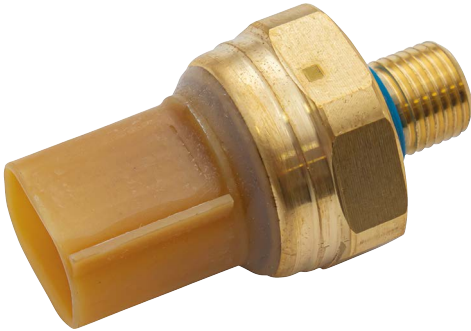
- > Speed
- > RPM
- > Current/best 0-60mph time
- > Current/best 60-0mph brake distance
- > Current/best 1/4-mile time



**MARCH 2024**

The quality parts for Land Rovers

## Manifold Assembly Fuel Supply Sensor



**LR079937SENSOR**  
 Manifold Assembly Fuel Supply Sensor  
 Discovery Sport  
 Range Rover Evoque - 2012 - 2018

## Bobble Hat

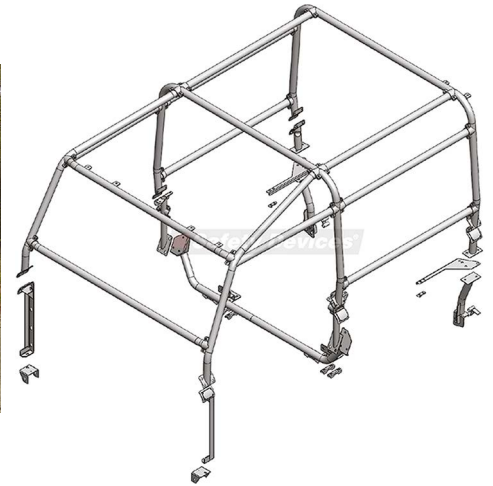


**DA8115**  
**Bobble Hat**  
 Winter isn't over yet. Get set with this comfortable and smart looking Britpart knitted bobble hat

## Safety Devices Roof Rack



**RBL2137SSS-B**  
**6-Point Full External Bolt-In Roll Cage**  
 Black  
 Defender 90 - Station Wagon - 2007 - 2016  
 For vehicles without bulkhead. Includes brackets for forward facing rear seats. Please note that this roll cage will clash with the older style roofs (1983 - 1988) that had three raised ribs approx 22mm (7/8") tall.



## Rack Mount Clamps



**SACS002**  
**Safety Devices Rack Mount Clamp**  
 Heavy-duty design allowing for higher loading  
 Single clamp  
 > Anodized clamp - upper and lower sections  
 > Protective rubbers - protects roll-cage finish  
 > M8 stainless bolts and spring washers



For mounting accessories such as a roof-rack, snorkel or aerial to your roll-cage. Suitable for any Safety Devices Expedition external roll-cage, as well as any other roll-cage which uses 45mm diameter tubing.

## Make Your (or Your Customer's) Land Rover A Star



Details on how to enter & full terms and conditions - [www.britpart.com/calendar](http://www.britpart.com/calendar)

*Here at Britpart we are planning our next Land Rover themed calendar and we'd love to feature the pictures of proud Land Rovers owner's vehicles - whatever model, age or condition of the vehicle.*

We love to see pictures of Land Rovers in locations stretching from rural UK, right through to vehicles in a foreign urban environment - use your imagination.

Winning entries will all feature in the next Britpart calendar and each one picked will win a great prize. So get out there with your Land Rover and camera - happy snapping. You can send us as many entries as you would like! **Good luck!**



**12 x Prizes Available**



Part numbers are used for identification purposes only and do not imply or indicate the identity of the manufacturer. E&OE.

[britpart.com](http://britpart.com)